

# 2X500 Sheet Paper Deck-C1

# PARTS CATALOG

REVISION 0

100V	50/60Hz	F25-2700-000	XAG00001 -
115/120V	60Hz	F25-2700-001	XAH00001 -
220V	50Hz	F25-2700-002	XAJ00001 -
240V	50Hz	F25-2700-003	XAK00001 -
240V	50Hz	F25-2700-004	XAL00001 -

# Canon

FEB. 1999

# FY8-31E7-000

## PREFACE

This Parts Catalog contains listings of parts used in the Canon 2X500 Sheet Paper Deck-C1. Diagrams are provided with the listings to aid the service technician in identifying clearly, the item to be ordered.

Whenever ordering parts, consult this Parts Catalog for all of the information pertaining to each item. Be sure to include, in the Parts Request, the full item description, the item part number, and the quantity.

Canon Inc.

Office Imaging Products Technical Support Dept. 3  
Office Imaging Products Technical Support Div.  
5-1, Hakusan 7-chome,  
Toride-shi, Ibaraki 302-8501, Japan

*COPYRIGHT © 1999 CANON INC.*

*Printed in Japan*

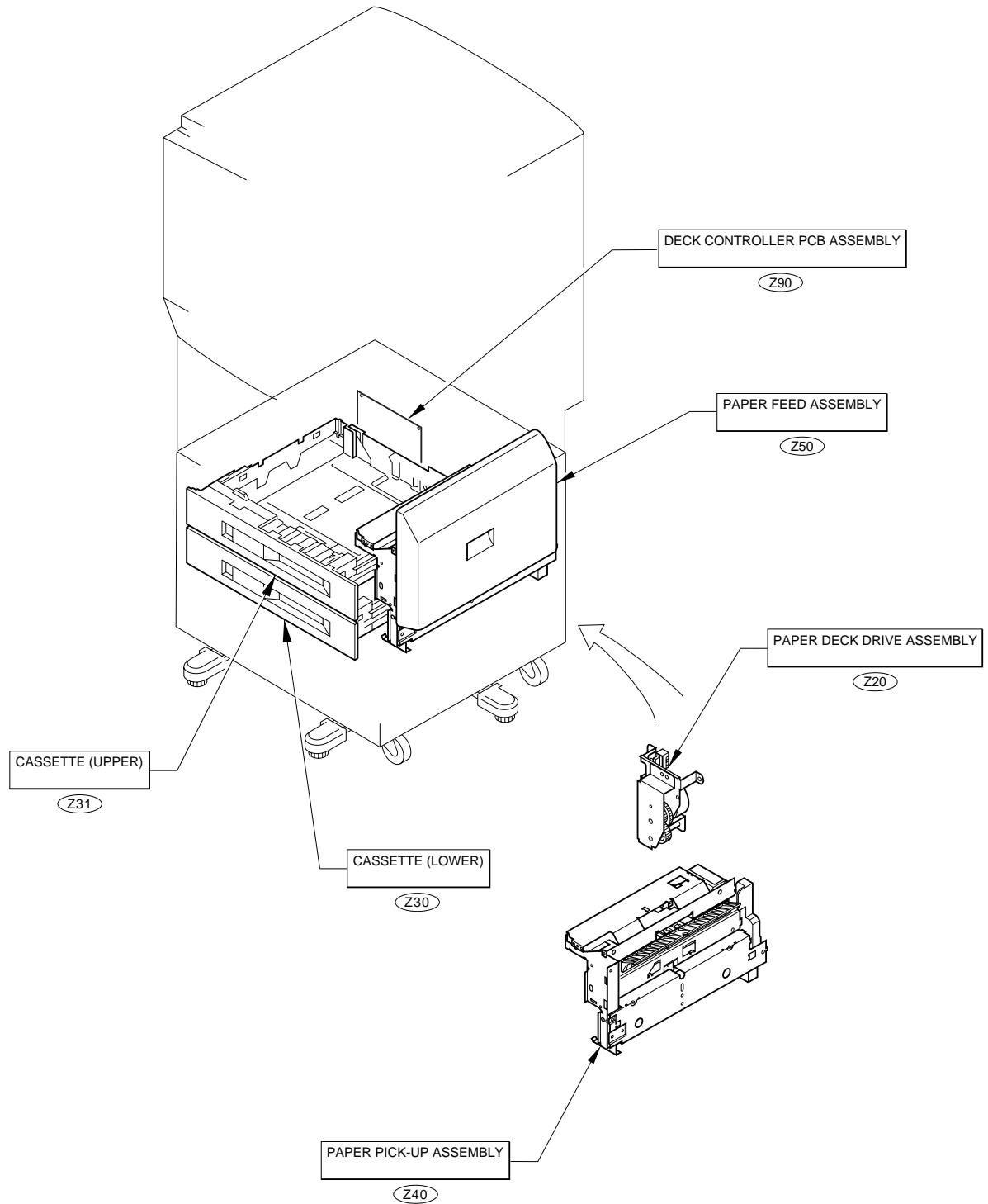
*Imprimé au Japon*

Use of this manual should be strictly supervised to avoid disclosure of confidential information.

# CONTENTS

- ZA. ASSEMBLY LOCATION DIAGRAM**
  
- Z10. EXTERNAL COVERS, PANELS, ETC.**
- Z15. INTERNAL COMPONENTS**
  
- Z20. PAPER DECK DRIVE ASSEMBLY**
  
- Z30. CASSETTE (LOWER)**
- Z31. CASSETTE (UPPER)**
  
- Z40. PAPER PICK-UP ASSEMBLY**
  
- Z50. PAPER FEED ASSEMBLY**
  
- Z90. DECK CONTROLLER PCB ASSEMBLY**
  
  
- ZB. LIST OF CONNECTORS**
  
  
- C. LIST OF STANDARD FASTENERS**
  
  
- ZD. NUMERICAL INDEX**

# FIGURE ZA ASSEMBLY LOCATION DIAGRAM



# FIGURE Z10 EXTERNAL COVERS, PANELS, ETC

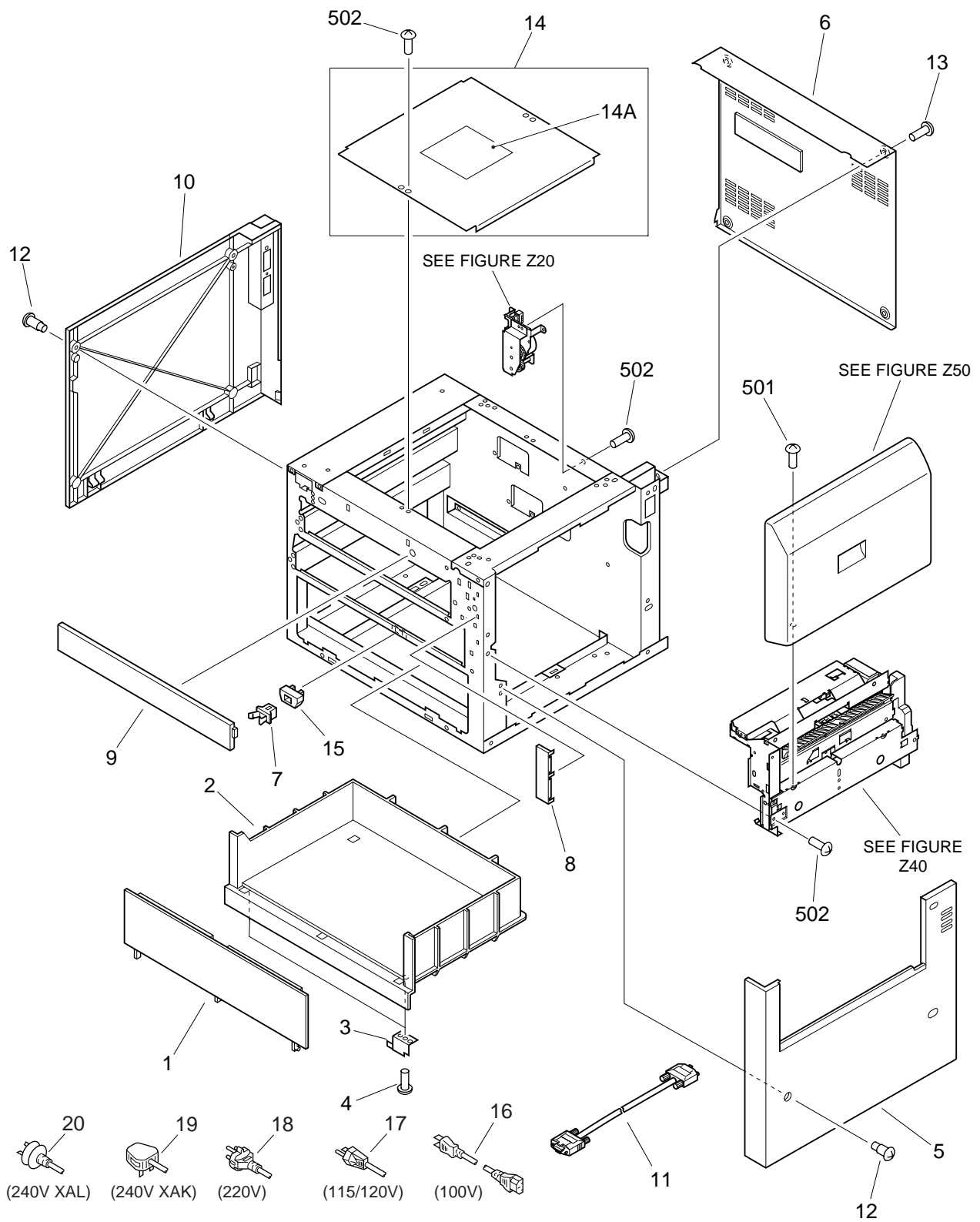


FIGURE & KEY NO.	PART NUMBER	R A N K	Q T Y	DESCRIPTION	SERIAL NUMBER / REMARKS
Z10 -	NPN		RF	EXTERNAL COVERS, PANELS, ETC.	
1	RB2-3721-000		1	COVER, TRAY	
2	RB2-3722-000		1	TRAY, PAPER	
3	RB2-3670-000		2	SPRING, LEAF	
4	XA9-0591-000		2	SCREW,M3X8	
5	RB2-3720-000		1	COVER, RIGHT	
6	RB2-3723-000		1	COVER, REAR	
7	XZ9-0379-000		1	LATCH	
8	RB2-3724-000		1	COVER, RIGHT FRONT	
9	RF5-2773-000		1	COVER, FRONT, UPPER	
10	RB2-3719-000		1	COVER, LEFT	
11	RH2-5310-000		1	CABLE, INTERFACE	
12	RS5-9099-000		5	SCREW, STEPPED	
13	XA9-0499-000		4	SCREW, W/WASHER, M4	
14	RF5-2766-000		1	COVER, UPPER	
14A	RS6-8149-000		1	LABEL, INSTALLATION	
15	RB2-3705-000		1	SPACER, LATCH	
16	FH2-6718-000		1	POWER CORD	100V
17	FH2-6719-000		1	POWER CORD	115/120V
18	FH2-5761-020		1	POWER CORD	220V
19	FH2-5762-000		1	POWER CORD	240V XAK
20	FH2-5763-000		1	POWER CORD	240V XAL
501	XB6-7300-607		2	SCREW,TP,M3X6	
502	XB6-7400-807		10	SCREW,TP,M4X8	

# FIGURE Z15

## INTERNAL COMPONENTS

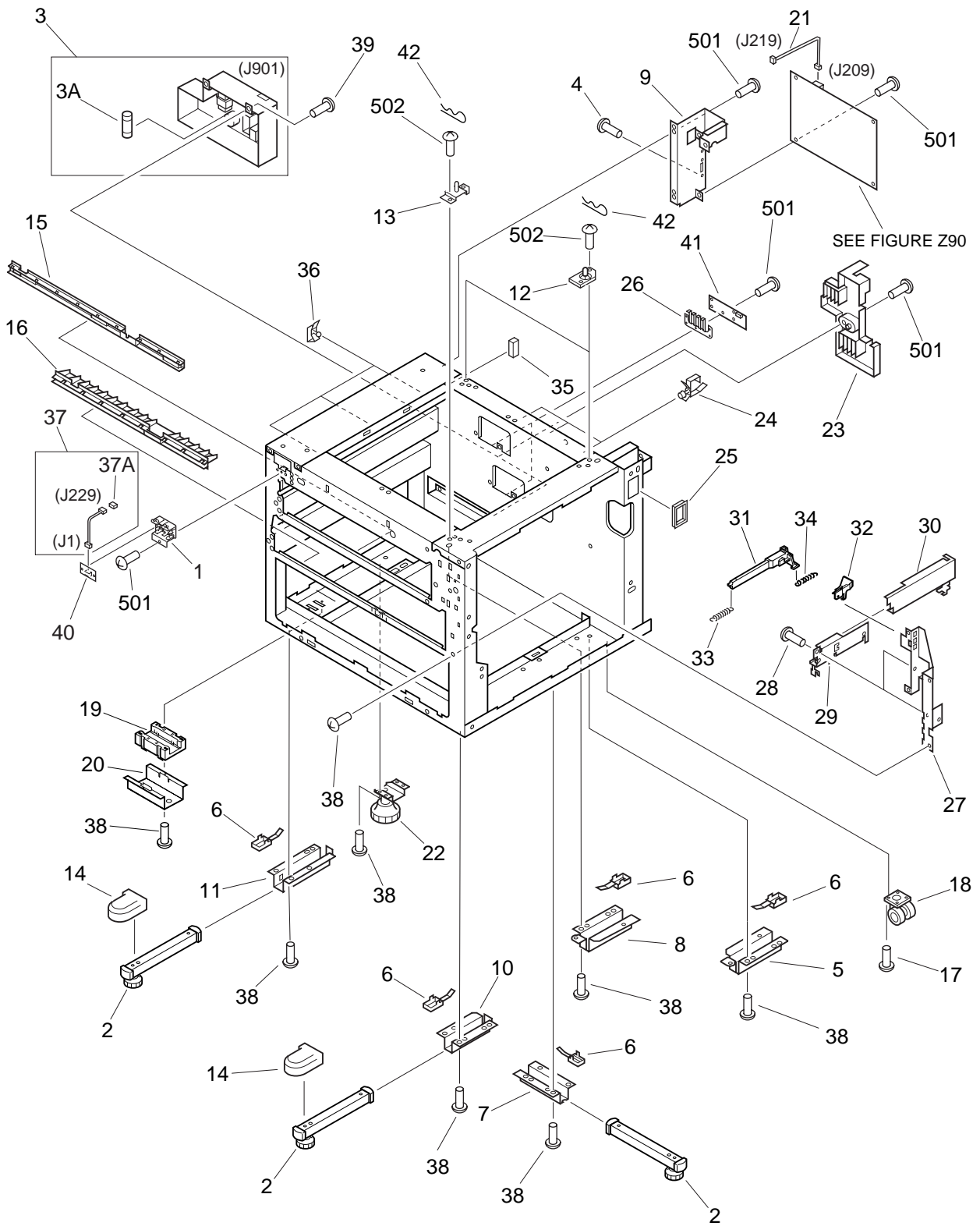


FIGURE & KEY NO.	PART NUMBER	RANK	QTY	DESCRIPTION	SERIAL NUMBER / REMARKS
Z15 -	NPN		RF	INTERNAL COMPONENTS	
1	RB2-3712-000		1	HOLDER, LED	
2	RG5-4205-000		3	OUTRIGER ASS'Y	
3	RG5-4021-000		1	DC POWER SUPPLY ASS'Y	J901
3A	VD7-1893-151		1	FUSE	
4	WT2-5526-000		4	HEXAGON BOLT, M4	
5	RB2-2460-000		1	MOUNT, ADJUSTER RIGHT REAR	
6	RB2-2461-000		5	SPACER, ADJUSTER	
7	RB2-2523-000		1	MOUNT, ADJUSTER RIGHT CENTER	
8	RB2-2524-000		1	MOUNT, ADJUSTER LEFT REAR	
9	RB2-3687-000		1	MOUNT, PCB	
10	RB2-3696-000		1	MOUNT, ADJUSTER, RIGHT	
11	RB2-3697-000		1	MOUNT, ADJUSTER, LEFT	
12	RB2-3699-000		2	HOLDER	
13	RF5-2556-000		1	PIN, POSITIONING	
14	RB2-3691-000		3	COVER, ADJUSTER	
15	RB1-6432-000		1	COVER, EDGE, UPPER	
16	RB2-3711-000		1	COVER, EDGE, LOWER	
17	XA9-0912-000		8	SCREW, W/WASHER, M5X12	
18	XZ9-0442-000		4	CASTER	
19	RB1-7760-000		1	MOUNT, FINISHER	
20	RB1-7761-000		1	GUIDE, RAIL	
21	RF1-4050-000		1	LED CABLE, 2	J209,219
22	RG5-4203-000		1	ADJUSTER MOUNT ASS'Y	
23	RB2-3667-000		1	HOLDER, SIZE	
24	WT2-0239-000		6	CLIP, CABLE	
25	WT2-5061-000		1	SUPPORT, CABLE	
26	RB1-6909-000		2	SPRING, LEAF	
27	RB2-3702-000		1	MOUNT, RAIL	
28	XA9-0267-000		4	SCREW,TP,M3X6	



FIGURE & KEY NO.	PART NUMBER	R A N K	Q T Y	DESCRIPTION	SERIAL NUMBER / REMARKS
Z15 - 29	RB2-3613-000		2	GUIDE, RAIL	
30	RB2-3614-000		2	RAIL, TRAY	
31	RB2-3615-000		2	ROD, RAIL	
32	RB2-3510-000		2	STOPPER, RAIL	
33	RS5-2499-000		2	SPRING, TENSION	
34	RS5-2500-000		2	SPRING, TENSION	
35	VS1-5820-003		1	CONNECTOR, SNAP TIGHT	
36	WT2-0507-000		3	CLAMP	
37	RF1-4049-000		1	LED CABLE, 1	J1,229
37A	VS1-5820-003		1	CONNECTOR, SNAP TIGHT	J219
38	XA9-0732-000		25	SCREW,RS,M4X8	
39	XA9-0499-000		2	SCREW, W/WASHER, M4	
40	RG5-4441-000		1	LED PCB ASS'Y	
41	RG5-1845-000		2	CASSETTE-SIZE SENSING PCB ASSY	
42	RB2-3328-000		1	PIN	
501	XB6-7300-607		12	SCREW,TP,M3X6	
502	XB6-7400-607		8	SCREW,TP,M4X6	

# FIGURE Z20 PAPER DECK DRIVE ASSEMBLY

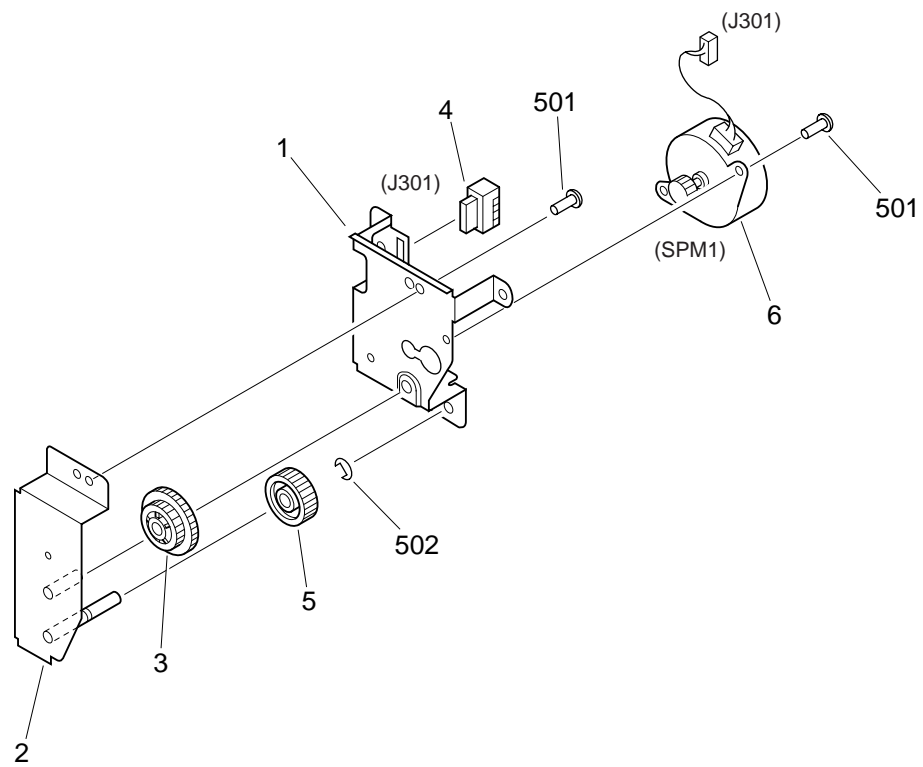


FIGURE & KEY NO.	PART NUMBER	RANK	QTY	DESCRIPTION	SERIAL NUMBER / REMARKS
Z20 -	RG5-4416-000		1	PAPER DECK DRIVE ASS'Y	
1	RB2-3701-000		1	PLATE, DRIVE, CENTER	
2	RF5-2768-000		1	MOUNT, DRIVE, FRONT	
3	RS6-0546-000		1	GEAR, 29T/42T	
4	VS1-5820-004		1	CONNECTOR, SNAP TIGHT	J301
5	RS5-0728-000		1	GEAR, 31T	
6	RH7-5215-000		1	MOTOR, STEPPING	SPM1 J301
501	XB6-7300-607		3	SCREW,TP,M3X6	
502	XD2-1200-502		1	RING,E	

# FIGURE Z30 CASSETTE (LOWER)

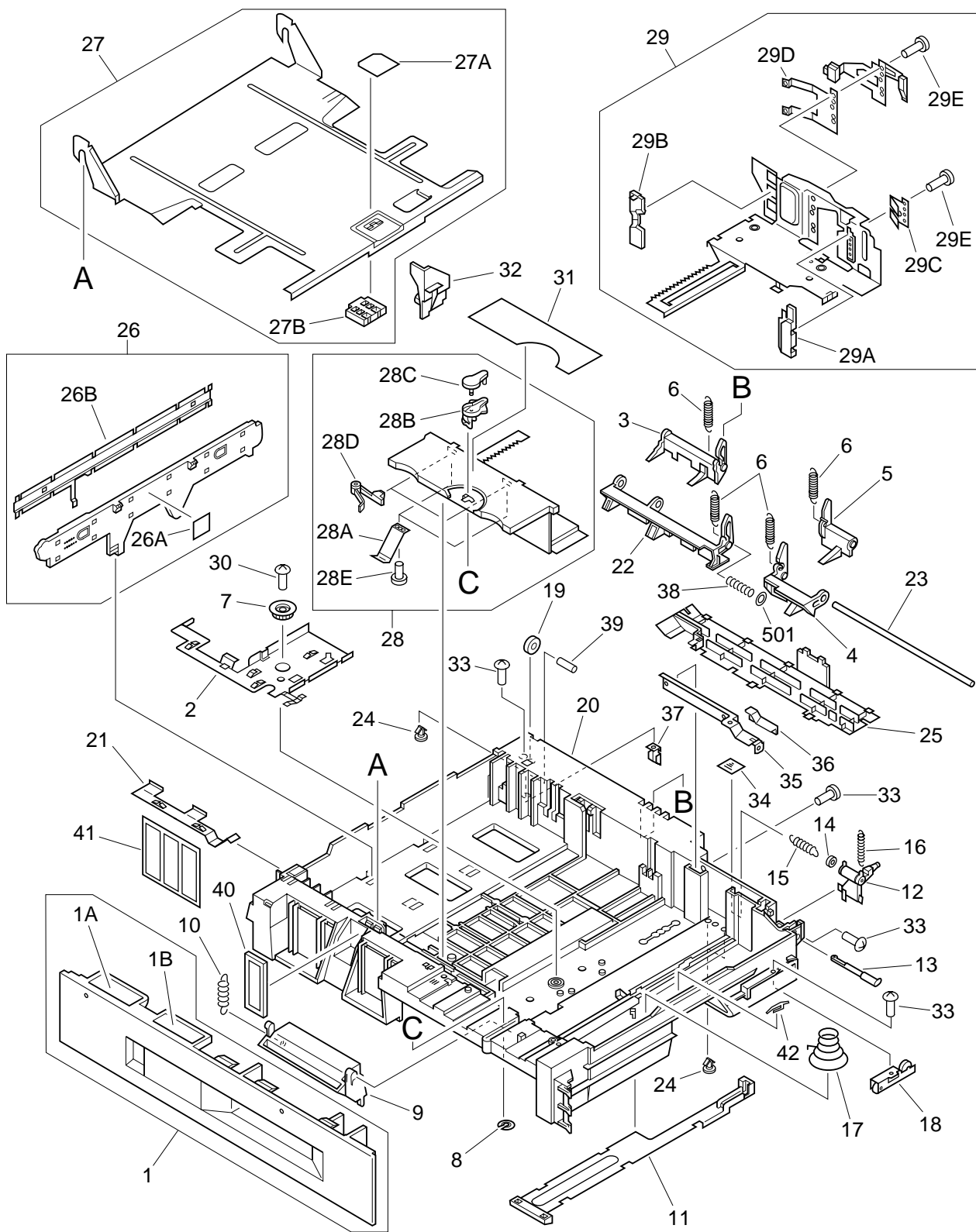


FIGURE & KEY NO.	PART NUMBER	RANK	QTY	DESCRIPTION	SERIAL NUMBER / REMARKS
Z30 -	NPN		RF	CASSETTE (LOWER)	
1	RB1-6991-000		1	PANEL, FRONT	
1A	RS6-8038-000		1	LABEL, "OPERATION"	
1B	RS5-8665-000		1	LABEL, "CASSETTE SIZE DISPLAY"	LTR/A4, LGL/B4 11X17/A3
2	RB1-6875-020		1	PLATE, GROUNDING	
3	RB1-6877-000		1	CAM, SIZE, B	
4	RB1-6878-000		1	CAM, SIZE, C	
5	RB1-6879-000		1	CAM, SIZE, D	
6	RB1-6881-020		4	SPRING, TENSION	
7	RB1-6882-000		1	GEAR, 20T	
8	RB1-6883-000		1	PLATE, LOCK	
9	RB1-6884-000		1	LATCH, CASSETTE	
10	RB1-6885-000		1	SPRING, TENSION	
11	RB1-6887-000		1	PLATE, CHANGING	
12	RB1-6888-000		1	ARM, SENSOR	
13	RB1-6889-000		1	SHAFT, LATCH	
14	RB1-6890-000		1	BUSHING	
15	RB1-6891-000		1	SPRING, TENSION	
16	RB1-6892-000		1	SPRING, TENSION	
17	RB1-6893-000		1	SPRING, COMPRESSION	
18	RF5-2734-030		1	ROLLER, 1	
19	RB1-6895-000		1	ROLLER, 2	
20	RB2-3589-000	N	1	BODY, CASSETTE	
21	RB1-6901-000		1	PLATE, GROUNDING	
22	RB1-6902-000		1	CAM, SIZE, A	
23	RB1-6903-000		1	SHAFT, CAM	
24	RB1-6904-000		3	CLIP	
25	RB1-6908-000		1	COVER, SIZE CAM	
26	RF5-2002-000		1	PLATE, END	
26A	RS6-8034-000		1	LABEL, "LIMIT"	

FIGURE & KEY NO.	PART NUMBER	RANK	QTY	DESCRIPTION	SERIAL NUMBER / REMARKS
Z30 - 26B	RB1-6869-030		1	PLATE, REINFORCEMENT	
27	RF5-2712-000		1	PLATE, PAPER LIFTING	
27A	RB1-6872-000		1	SHEET, SEPARATION, LEATHER	
27B	RB1-6871-030		1	CUSHION	
28	RG5-3948-000		1	PANEL, LIMIT	
28A	RB1-6858-000		2	SPRING, LEAF	
28B	RB1-9619-000		1	LEVER, LOCK	
28C	RB1-9620-000		1	COVER, LEVER	
28D	RB1-6914-000		2	CLAW	
28E	XB1-2300-406		5	SCREW,MACH.,TRUSS HEAD,M3X4	
29	RG5-1910-000		1	PANEL, LIMIT	
29A	RB1-6861-000		1	PLATE, SIDE, FRONT	
29B	RB1-6863-000		1	PLATE, SIDE, REAR	
29C	RB1-6865-000		1	SPRING, LEAF	
29D	RB1-6867-000		1	SPRING, LEAF	
29E	XB1-2300-406		2	SCREW,MACH.,TRUSS HEAD,M3X4	
30	XA9-0283-000		1	SCREW,TP,M3X6	
31	RS6-8035-000		1	LABEL, OPERATION	
32	RB1-6784-000		1	PLATE, HOLDER	
33	XA9-0866-000		4	SCREW,W/WASHER,M3X7	
34	RS5-8593-000		1	LABEL, "INSERT"	
35	RB1-6912-000		1	PLATE, REINFORCEMENT	
36	RB1-6913-000		1	COVER, PROTECTIVE	
37	RB1-6917-000		1	STOPPER, TRAY	
38	RB1-6916-000		1	SPRING, COMPRESSION	
39	XD9-0170-000		1	SHAFT, ROLLER, 2	
40	RB1-6992-000		1	PLATE, CASSETTE SIZE DISPLAY	
41	RS5-8667-000		1	LABEL, CASSETTE SIZE DISPLAY	A4/B4, LTR/LGL 11X17/A3
42	RB2-3593-000		1	GUIDE, NIP	
501	XD1-1105-233		1	SHIM	

# FIGURE Z31

## CASSETTE (UPPER)

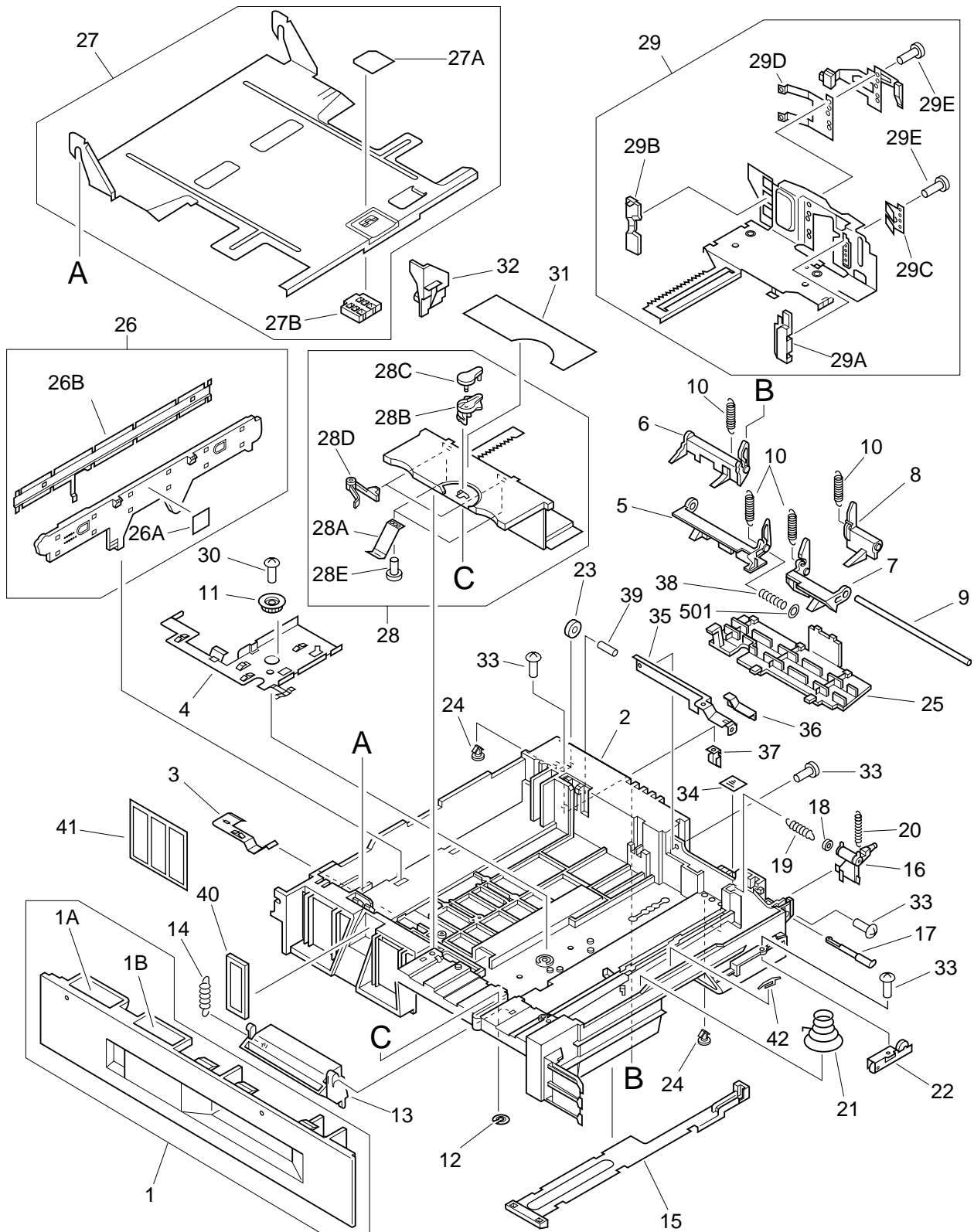


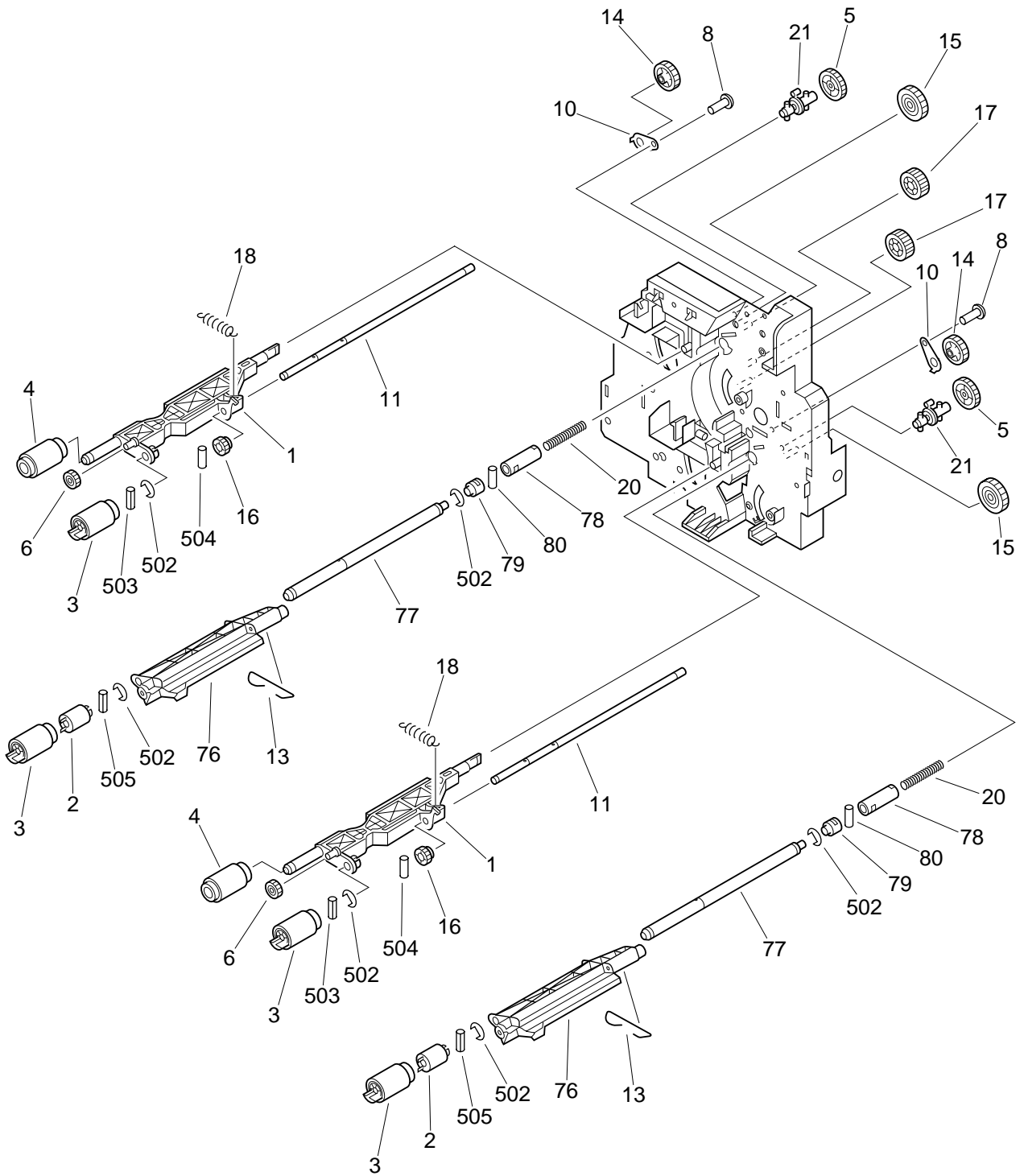
FIGURE & KEY NO.	PART NUMBER	RANK	QTY	DESCRIPTION	SERIAL NUMBER / REMARKS
Z31 -	NPN		RF	CASSETTE (UPPER)	
1	RB1-6991-000		1	PANEL, FRONT	
1A	RS6-8038-000		1	LABEL, "OPERATION"	
1B	RS5-8644-000		1	LABEL, CASSETTE SIZE DISPLAY	LTR/A4, LGL/B4
2	RB2-3588-000	N	1	BODY, CASSETTE	
3	RB1-6874-000		1	PLATE, GROUNDING	
4	RB1-6875-020		1	PLATE, GROUNDING	
5	RB1-6876-000		1	CAM, SIZE, A	
6	RB1-6877-000		1	CAM, SIZE, B	
7	RB1-6878-000		1	CAM, SIZE, C	
8	RB1-6879-000		1	CAM, SIZE, D	
9	RB1-6880-000		1	SHAFT, CAM	
10	RB1-6881-020		4	SPRING, TENSION	
11	RB1-6882-000		1	GEAR, 20T	
12	RB1-6883-000		1	PLATE, LOCK	
13	RB1-6884-000		1	LATCH, CASSETTE	
14	RB1-6885-000		1	SPRING, TENSION	
15	RB1-6887-000		1	PLATE, CHANGING	
16	RB1-6888-000		1	ARM, SENSOR	
17	RB1-6889-000		1	SHAFT, LATCH	
18	RB1-6890-000		1	BUSHING	
19	RB1-6891-000		1	SPRING, TENSION	
20	RB1-6892-000		1	SPRING, TENSION	
21	RB1-6893-000		1	SPRING, COMPRESSION	
22	RF5-2734-030		1	ROLLER, 1	
23	RB1-6895-000		1	ROLLER, 2	
24	RB1-6904-000		3	CLIP	
25	RB1-6907-000		1	COVER, SIZE CAM	
26	RF5-2002-000		1	PLATE, END	
26A	RS6-8034-000		1	LABEL, "LIMIT"	



FIGURE & KEY NO.	PART NUMBER	RANK	QTY	DESCRIPTION	SERIAL NUMBER / REMARKS
Z31 - 26B	RB1-6869-030		1	PLATE, REINFORCEMENT	
27	RF5-2712-000		1	PLATE, PAPER LIFTING	
27A	RB1-6872-000		1	SHEET, SEPARATION, LEATHER	
27B	RB1-6871-030		1	CUSHION	
28	RG5-3948-000		1	PANEL, LIMIT	
28A	RB1-6858-000		2	SPRING, LEAF	
28B	RB1-9619-000		1	LEVER, LOCK	
28C	RB1-9620-000		1	COVER, LEVER	
28D	RB1-6914-000		2	CLAW	
28E	XB1-2300-406		5	SCREW,MACH.,TRUSS HEAD,M3X4	
29	RG5-1910-000		1	PANEL, LIMIT	
29A	RB1-6861-000		1	PLATE, SIDE, FRONT	
29B	RB1-6863-000		1	PLATE, SIDE, REAR	
29C	RB1-6865-000		1	SPRING, LEAF	
29D	RB1-6867-000		1	SPRING, LEAF	
29E	XB1-2300-406		5	SCREW,MACH.,TRUSS HEAD,M3X4	
30	XA9-0283-000		1	SCREW,TP,M3X6	
31	RS6-8035-000		1	LABEL, OPERATION	
32	RB1-6784-000		1	PLATE, HOLDER	
33	XA9-0866-000		4	SCREW,W/WASHER,M3X7	
34	RS5-8593-000		1	LABEL, "INSERT"	
35	RB1-6911-000		1	PLATE, REINFORCEMENT	
36	RB1-6913-000		1	COVER, PROTECTIVE	
37	RB1-6917-000		1	STOPPER, TRAY	
38	RB1-6916-000		1	SPRING, COMPRESSION	
39	XD9-0170-000		1	SHAFT, ROLLER, 2	
40	RB1-6992-000		1	PLATE, CASSETTE SIZE DISPLAY	
41	RS6-8666-000		1	LABEL, CASSETTE SIZE DISPLAY	LTR/A4, LGL/B4
42	RB2-3593-000		1	GUIDE, NIP	
501	XD1-1105-233		1	SHIM	

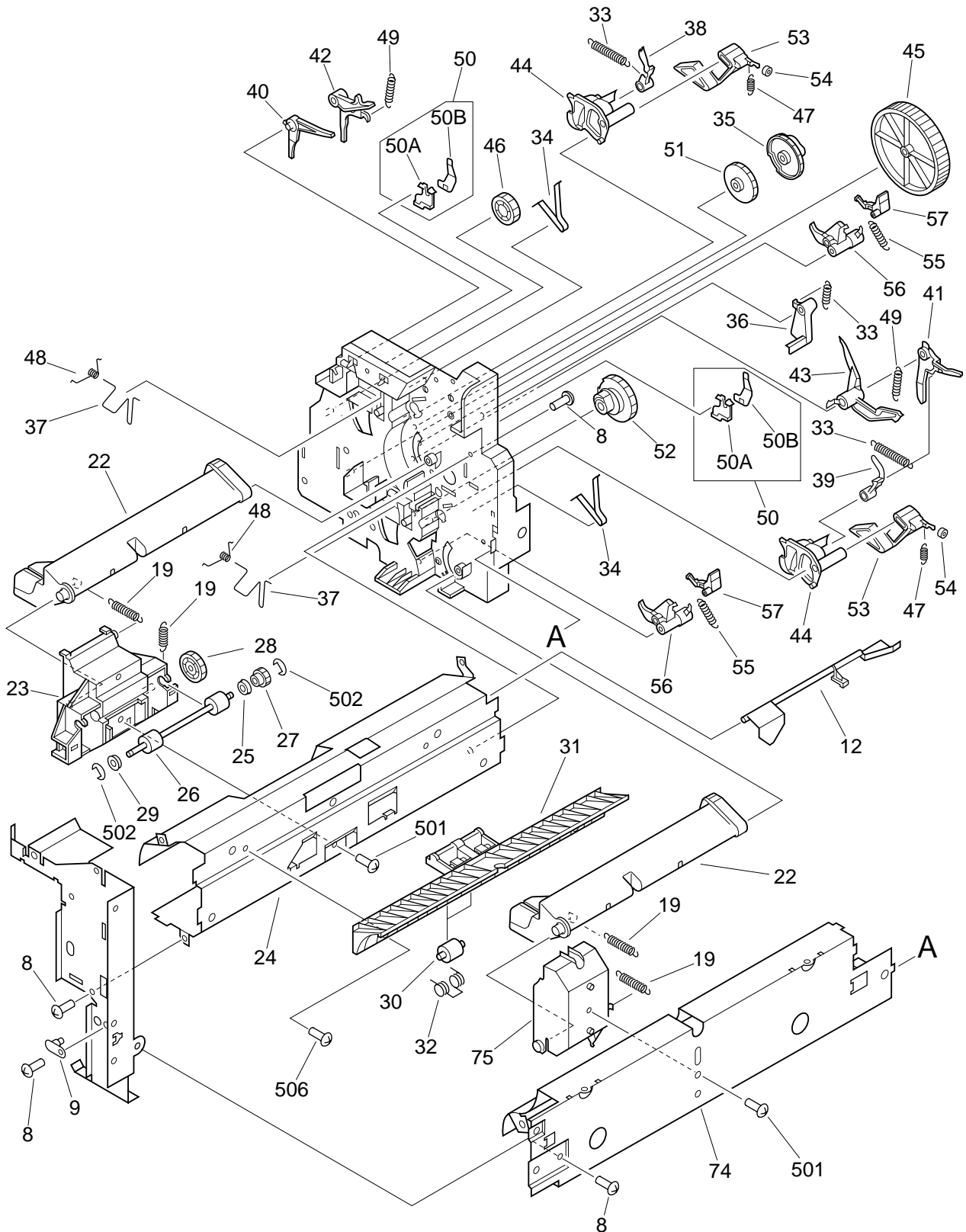
# FIGURE Z40

## PAPER PICK-UP ASSEMBLY (1/3)



# FIGURE Z40

## PAPER PICK-UP ASSEMBLY (2/3)



# FIGURE Z40

## PAPER PICK-UP ASSEMBLY (3/3)

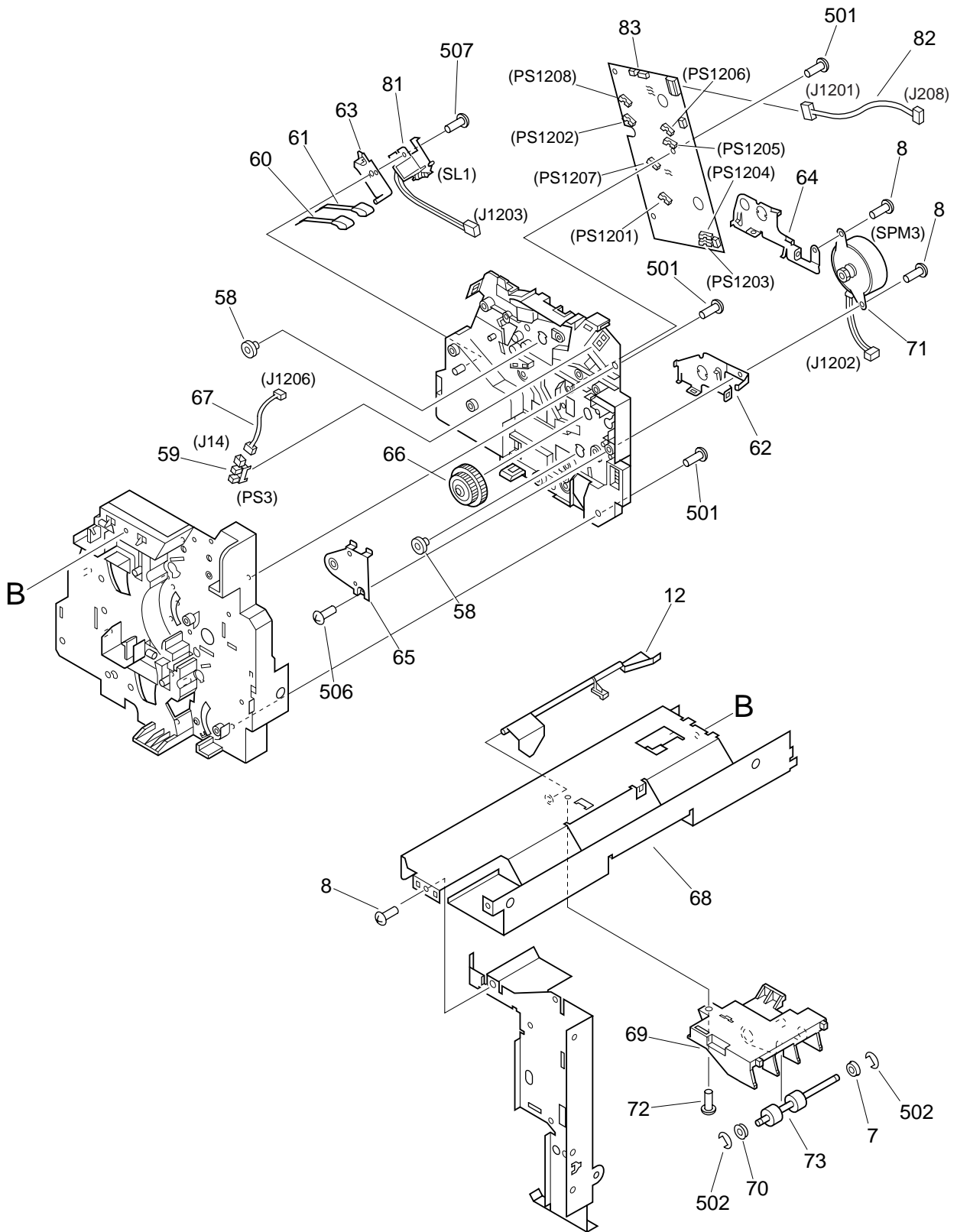


FIGURE & KEY NO.	PART NUMBER	R A N K	Q T Y	DESCRIPTION	SERIAL NUMBER / REMARKS
Z40 -	RG5-4410-000		1	PAPER PICK-UP ASS'Y	
1	RB1-6585-000		2	HOLDER, ROLLER	
2	RB2-3713-000		2	LIMITER, TORQUE	
3	RF5-1834-000		4	ROLLER, FEED	
4	RF5-2708-000		2	ROLLER, PICK-UP	
5	RS5-0739-000		2	GEAR, 38T	
6	RS5-0740-000		2	GEAR, 18T	
7	RS5-1179-000		1	BUSHING	
8	XA9-0836-000		15	SCREW,TP,M3X6	
9	RB1-7085-000		1	PIN	
10	RB1-6580-000		2	PLATE, GROUNDING	
11	RB1-6586-000		2	SHAFT, FRONT	
12	RB2-3587-000		2	FLAG, PAPER SENSING	
13	RB1-6591-000		2	ROD, RELEASE	
14	RS5-0732-020		2	GEAR, 31T	
15	RS5-0733-000		2	GEAR, 20T/41T	
16	RS5-0744-000		2	GEAR, 23T	
17	RS5-0745-000		2	GEAR, 31T	
18	RS5-2481-000		2	SPRING, TENSION	
19	RS5-2482-000		4	SPRING, TENSION	
20	RS5-2480-000		2	SPRING, COMPRESSION	
21	RF5-1423-000		2	SHAFT, CONNECTING	
22	RF5-1424-000		2	LIFTER	
23	RB2-3673-000		1	MOUNT, UPPER	
24	RB2-3682-000		1	CROSSMEMBER, GUIDE, UPPER	
25	RS5-1179-000		1	BUSHING	
26	RB1-6561-000		1	ROLLER, PAPER FEED	
27	RS5-0736-000		1	GEAR, 16T	
28	RS5-0737-000		1	GEAR, 40T	
29	RS5-1009-000		1	BUSHING	

FIGURE & KEY NO.	PART NUMBER	R A N K	Q T Y	DESCRIPTION	SERIAL NUMBER / REMARKS
Z40 - 30	RB2-2503-000		2	ROLLER, FEED	
31	RB2-3706-000		1	GUIDE, PAPER	
32	RB2-3707-000		2	SPRING, TORSION	
33	RS5-2479-000		3	SPRING, TENSION	
34	RB1-6528-000		2	SPRING, LEAF	
35	RB1-6535-000		1	CAM, PAPER PICK-UP	
36	RB1-6543-000		1	LEVER, OPEN/CLOSE SENSING	
37	RB1-6544-000		2	LINK, LIFTER	
38	RB1-6545-000		1	BLOCK, PICK-UP LOCK, UPPER	
39	RB1-6546-000		1	BLOCK, PICK-UP LOCK, LOWER	
40	RB1-6547-000		1	TRIGGER, LIFTER, UPPER	
41	RB1-6548-000		1	TRIGGER, LIFTER, LOWER	
42	RB1-6549-000		1	ARM, LIFTER, UPPER	
43	RB1-6550-000		1	ARM, LIFTER, LOWER	
44	RB1-6551-000		2	ARM, CONNECTING	
45	RS5-0734-000		1	GEAR, 100T	
46	RS5-0735-000		1	GEAR, 32T	
47	RS5-2476-020		2	SPRING, TENSION	
48	RS5-2477-000		2	SPRING, TORSION	
49	RS5-2478-000		2	SPRING, TENSION	
50	RF5-1415-000		2	LEVER, LOCK, REAR	
50A	RB1-6533-000		1	LEVER, LOCK	
50B	RB1-6534-000		1	SPRING, LEAF	
51	RF5-1417-000		1	CAM, LIFT UP, UPPER	
52	RF5-1418-000		1	CAM, LIFT UP, LOWER	
53	RB1-6538-000		2	CLAW, LIFTER ARM	
54	RB1-6539-000		2	DAMPER	
55	RS5-2476-020		2	SPRING, TENSION	
56	RB1-6540-000		2	CLAW, LIFTER LOCK	
57	RB1-6541-000		2	LEVER, LEAD	

FIGURE & KEY NO.	PART NUMBER	R A N K	Q T Y	DESCRIPTION	SERIAL NUMBER / REMARKS
Z40 - 58	RS5-1179-000		2	BUSHING	
59	WG8-5362-000		1	IC, TLP1241, PHOTO-INTERRUPTER	PS3 J14
60	RB1-6526-000		1	SPRING, LEAF, 1	
61	RB1-6527-000		1	SPRING, LEAF, 2	
62	RB1-6567-000		1	PLATE, GROUNDING, 2	
63	RB1-6568-000		1	PLATE, GROUNDING, 3	
64	RB1-6579-000		1	PLATE, GROUNDING, 1	
65	RB1-6599-000		1	COVER, SMALL	
66	RS5-0738-000		1	GEAR, 31T/47T	
67	RG5-1862-000		1	CABLE, RIGHT DOOR SENSOR	J14,1206
68	RB2-3685-000		1	PLATE, GUIDE, UPPER	
69	RB2-3693-000		1	HOLDER, ROLLER	
70	RS5-1009-000		1	BUSHING	
71	RH7-1262-000		1	MOTOR, STEPPING	SPM3 J1202
72	XA9-0267-000		1	SCREW,TP,M3X6	
73	RB1-6598-000		1	ROLLER, PAPER FEED, UPPER	
74	RB2-3686-000		1	CROSSMEMBER, GUIDE, LOWER	
75	RB1-6563-000		1	BLOCK, SUPPORT, LOWER	
76	RB1-6570-000		2	ARM, SEPARATION	
77	RB1-6569-030		2	SHAFT, SEPARATION	
78	RB1-6571-000		2	JOINT	
79	RB1-6565-000		2	JOINT	
80	RB1-6529-000		2	PIN, DOWEL	
81	RH7-5218-000		1	SOLENOID	SL1 J1203
82	RF1-4052-000		1	PAPER PICK-UP CABLE	J208,1201
83	RG5-1860-030		1	PAPER PICK-UP PCB ASS'Y	
501	XB4-7401-007		6	SCREW,TAPPING,TRUSS HEAD,M4X10	
502	XD2-1100-502		9	RING,E	
503	XD3-1200-122		2	PIN,SPRING	
504	XD3-2200-122		2	PIN,DOWEL	

FIGURE & KEY NO.	PART NUMBER	R A N K	Q T Y	DESCRIPTION	SERIAL NUMBER / REMARKS
Z40 - 505	XD3-1200-102		2	PIN, SPRING	
506	XB4-7401-009		3	SCREW, TAPPING, TRUSS HEAD, M4X10	
507	XB4-7301-007		1	SCREW, TAPPING, TRUSS HEAD, M3X10	



# FIGURE Z50

## PAPER FEED ASSEMBLY

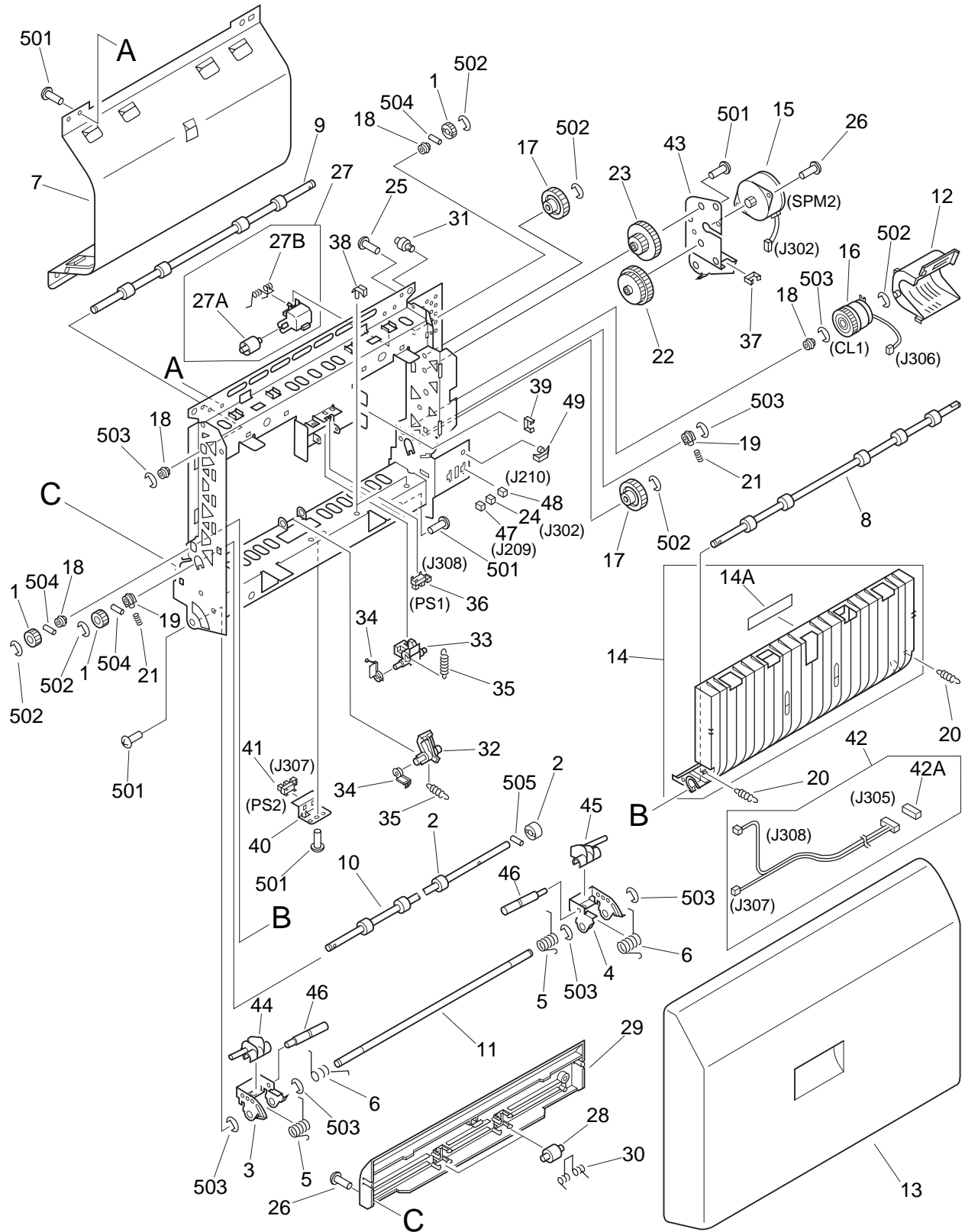


FIGURE & KEY NO.	PART NUMBER	R A N K	Q T Y	DESCRIPTION	SERIAL NUMBER / REMARKS
Z50 -	RG5-4423-000		1	PAPER FEED ASS'Y	
1	FS5-0338-000		3	GEAR, 16T	
2	RB1-7818-000		4	ROLLER, FEED	
3	RB2-3728-000		1	PLATE, HINGE, FRONT	
4	RB2-3729-000		1	PLATE, HINGE, REAR	
5	RB1-7822-000		2	SPRING, TORSION	
6	RB1-7823-000		2	SPRING, TORSION	
7	RB1-7824-000		1	GUIDE, FEED, OUTER	
8	RB2-2510-000		1	ROLLER, REGISTRATION	
9	RB2-2511-000		1	ROLLER, FEED	
10	RB2-2512-000		1	SHAFT, ROLLER	
11	RB2-2513-000		1	SHAFT, HINGE	
12	RB2-3690-000		1	COVER, CLUTCH	
13	RF5-2774-000		1	COVER, FEED	
14	RF5-2765-000		1	GUIDE, FEED, INNER	
14A	RS6-8010-000		1	LABEL, FEED	
15	RH7-5226-000		1	MOTOR, STEPPING	SPM2 J302
16	RH7-5201-000		1	CLUTCH, ELECTROMAGNETIC	CL1 J306
17	RS5-0852-000		2	GEAR, 36T	
18	RS5-1202-000		4	BUSHING	
19	RS5-1203-000		2	BUSHING	
20	RS5-2557-000		2	SPRING, TENSION	
21	RS5-2565-000		2	SPRING, COMPRESSION	
22	RS6-0406-000		1	GEAR, 38T/71T	
23	RS6-0407-000		1	GEAR, 19T/71T	
24	VS1-5820-004		1	CONNECTOR, SNAP TIGHT	J302
25	XA9-0591-000		2	SCREW,M3X8	
26	XA9-0946-000		2	SCREW, W/WASHER, M3X4	
27	RG5-3858-000		4	FEED ROLLER ASS'Y	
27A	RB2-2503-000		1	ROLLER, FEED	

FIGURE & KEY NO.	PART NUMBER	RANK	QTY	DESCRIPTION	SERIAL NUMBER / REMARKS
Z50 - 27B	RB2-2505-000		1	SPRING, TORSION	
28	RB2-2503-000		2	ROLLER, FEED	
29	RB2-3672-000		1	GUIDE, FEED, LOWER	
30	RB2-3707-000		2	SPRING, TORSION	
31	RB1-3001-000		2	FOOT	
32	RB1-7813-000		1	LEVER, REGIST SENSOR	
33	RB1-7814-000		1	LEVER, JAM SENSOR	
34	RB2-2502-000		2	BUSHING	
35	RS5-2556-000		2	SPRING, TENSION	
36	WG8-5362-000		1	IC, TLP1241, PHOTO-INTERRUPTER	PS1 J308
37	WT2-0204-000		1	CLIP, CABLE	
38	WT2-0507-000		2	CLAMP	
39	WT2-5035-000		2	CLIP, CABLE	
40	RB2-2501-000		1	PLATE, HOLDER, SENSOR	
41	WG8-5362-000		1	IC, TLP1241, PHOTO-INTERRUPTER	PS2 J307
42	RG5-4439-000		1	CABLE, FEEDER	J305,307,308
42A	VS1-5057-006		1	CONNECTOR, SNAP TIGHT	J305
43	RB2-2508-020		1	PLATE, MOUNT, MOTOR	
44	RB2-3730-000		1	LEVER, HINGE, FRONT	
45	RB2-3731-000		1	LEVER, HINGE, REAR	
46	RB2-3732-000		2	SHAFT, STOPPER	
47	VS1-5057-006		1	CONNECTOR, SNAP TIGHT	J209
48	VS1-5057-002		1	CONNECTOR, SNAP TIGHT	J210
49	WT2-0507-000		1	CLAMP	
501	XB6-7300-607		10	SCREW,TP,M3X6	
502	XD2-1100-502		7	RING,E	
503	XD2-1100-642		7	RING,E	
504	XD3-2200-102		3	PIN,DOWEL	
505	XD3-2200-122		4	PIN,DOWEL	

# FIGURE Z90

## DECK CONTROLLER PCB ASSEMBLY

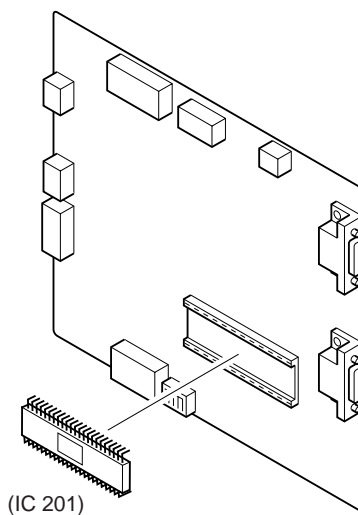


FIGURE & KEY NO.	PART NUMBER	RANK	QTY	DESCRIPTION	SERIAL NUMBER / REMARKS
Z92 -	RG5-4442-020		1	DECK CONTROLLER PCB ASS'Y	
FU201	VD7-1621-501		1	FUSE	
FU202	VD7-1621-001		1	FUSE, 60V, 1A	
FU203	VD7-1621-001		1	FUSE, 60V, 1A	
IC201	RH4-0273-000		1	IC, M38022M4-371SP, MASK-ROM	
-----					
-----					

# FIGURE ZB LIST OF CONNECTORS

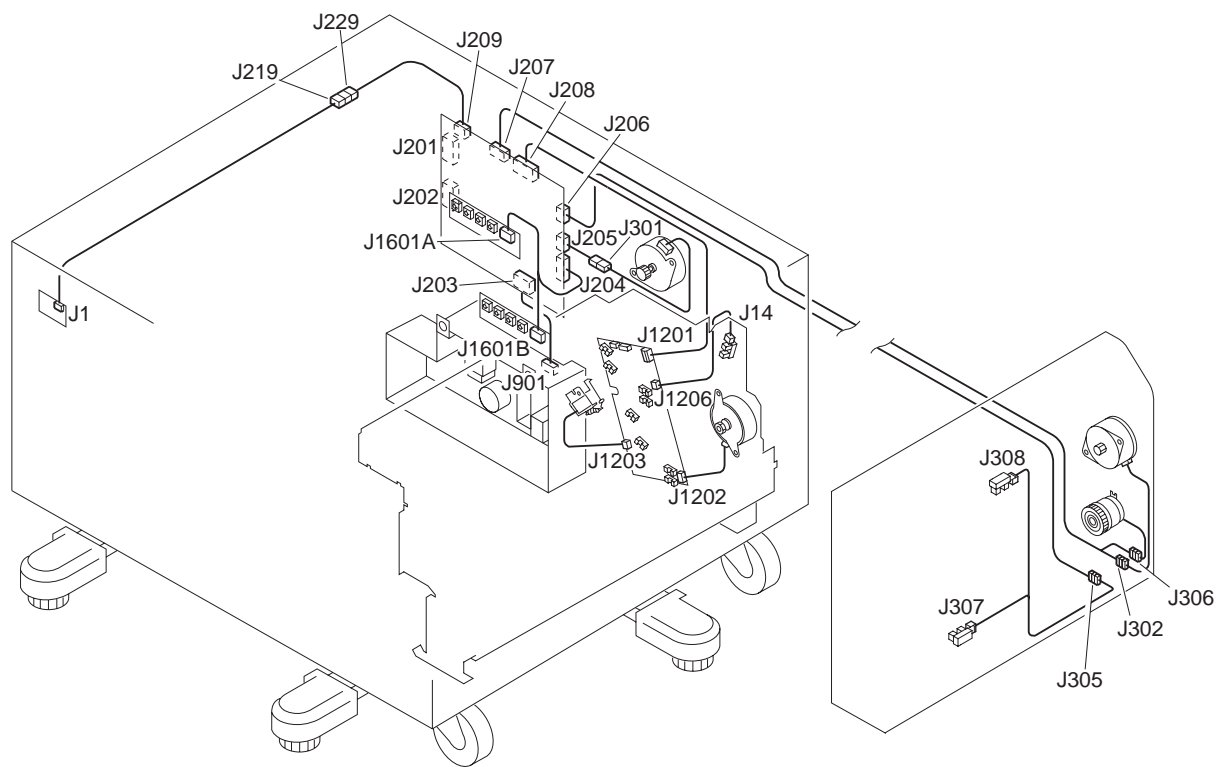


FIGURE & KEY NO.	PART NUMBER	R A N K	Q T Y	DESCRIPTION	SERIAL NUMBER / REMARKS
Z B -	NPN		RF	LIST OF CONNECTORS	
J 1	PCB			LED	
	VS3-5080-003		1	CONNECTOR, 3P, FEMALE	
	WT1-5155-000		3	TERMINAL	
J 14	NPN			PAPER FEED SENSOR	PS3
J 202	PCB			DC CONTROLLER	
	FH2-5310-000		1	CABLE, INTERFACE	
J 203	PCB			DC CONTROLLER	
	VS3-5083-006		1	CONNECTOR, 6P, FEMALE	
J 204	PCB			DC CONTROLLER	
	VS1-0842-010		1	CONNECTOR, 10P, FEMALE	
J 205	PCB			DC CONTROLLER	
	VS3-5080-005		1	CONNECTOR, 5P, FEMALE	
J 206	PCB			DC CONTROLLER	
	VS3-5080-004		1	CONNECTOR, 4P, FEMALE	
	WT1-5155-000		4	TERMINAL	
J 207	PCB			DC CONTROLLER	
J 208	PCB			DC CONTROLLER	
	VS3-5008-020		1	CONNECTOR, 20P, FEMALE	
	WS3-5005-000		20	SOCKET CONTACT, 24-28AWG	
J 209	PCB			DC CONTROLLER	
J 219	PCB			DC CONTROLLER	
	VS3-5080-003		1	CONNECTOR, 3P, FEMALE	
	WT1-5155-000		3	TERMINAL	
	VS1-5820-003		1	CONNECTOR, SNAP TIGHT	
	VS3-5080-003		1	CONNECTOR, 3P, FEMALE	
	WT1-5155-000		3	TERMINAL	

FIGURE & KEY NO.	PART NUMBER	RANK	QTY	DESCRIPTION	SERIAL NUMBER / REMARKS
Z B - J 229	VS3-5080-003		1	CONNECTOR, 3P, FEMALE	SPM1
	WT1-5155-000		3	TERMINAL	
	J 301 NPN			PICK-UP DRIVER MOTOR	
	VS3-5080-004		1	CONNECTOR, 4P, FEMALE	
	WT1-5155-000		4	TERMINAL	
J 302	NPN			PAPER FEED MOTOR	SPM2
	VS3-5080-004		1	CONNECTOR, 4P, FEMALE	
	WT1-5155-000		4	TERMINAL	
J 305	VS1-0842-008		1	CONNECTOR, 8P, FEMALE	
	VS1-5057-006		1	CONNECTOR, SNAP TIGHT	
J 306	NPN			PAPER FEED CLUTCH	CL1
	VS1-0842-002		1	CONNECTOR, 2P, FEMALE	
	VS1-5057-002		1	CONNECTOR, SNAP TIGHT	
J 307	NPN			JAM SENSOR	PS2
	VS1-0842-003		1	CONNECTOR, 3P, FEMALE	
J 308	NPN			REGISTRATION SENSOR	PS1
	VS1-0842-003		1	CONNECTOR, 3P, FEMALE	
J 901	PCB			DC POWER SUPPLY	
	VS3-5083-006		1	CONNECTOR, 6P, FEMALE	
	WS3-5254-000		6	TERMINAL, 18-24AWG	
J1201	PCB			PAPER PICK-UP	
	VS3-5008-020		1	CONNECTOR, 20P, FEMALE	
	WS3-5005-000		20	SOCKET CONTACT, 24-28AWG	
J1202	PCB			PAPER PICK-UP	SPM3
	NPN			PAPER PICK-UP MOTOR	
J1203	PCB			PAPER PICK-UP	SL1
	NPN			PAPER PICK-UP SOLENOID	
J1206	PCB			PAPER PICK-UP	
	VS1-0842-003		1	CONNECTOR, 3P, FEMALE	
J1601A	PCB			CASSETTE SIZE	

FIGURE & KEY NO.	PART NUMBER	R A N K	Q T Y	DESCRIPTION	SERIAL NUMBER / REMARKS
Z B - J1601A	VS1-0842-005		1	CONNECTOR, 5P, FEMALE	
J1601B	PCB			CASSETTE SIZE	
	VS1-0842-005		1	CONNECTOR, 5P, FEMALE	



# ZD NUMERICAL INDEX

PART NUMBER	FIGURE & KEY NO.	PART NUMBER	FIGURE & KEY NO.	PART NUMBER	FIGURE & KEY NO.
FH2 - 5310 - 000	Z B - J 202	RB1 - 6878 - 000	Z31 - 7	RB2 - 3593 - 000	Z30 - 42
FH2 - 5761 - 020	Z10 - 18	RB1 - 6879 - 000	Z30 - 5		Z31 - 42
FH2 - 5762 - 000	Z10 - 19		Z31 - 8	RB2 - 3613 - 000	Z15 - 29
FH2 - 5763 - 000	Z10 - 20	RB1 - 6880 - 000	Z31 - 9	RB2 - 3614 - 000	Z15 - 30
FH2 - 6718 - 000	Z10 - 16	RB1 - 6881 - 020	Z30 - 6	RB2 - 3615 - 000	Z15 - 31
FH2 - 6719 - 000	Z10 - 17		Z31 - 10	RB2 - 3667 - 000	Z15 - 23
FS5 - 0338 - 000	Z50 - 1	RB1 - 6882 - 000	Z30 - 7	RB2 - 3670 - 000	Z10 - 3
PCB	Z B - J 1		Z31 - 11	RB2 - 3672 - 000	Z50 - 29
	Z B - J 202	RB1 - 6883 - 000	Z30 - 8	RB2 - 3673 - 000	Z40 - 23
	Z B - J 203		Z31 - 12	RB2 - 3682 - 000	Z40 - 24
	Z B - J 204	RB1 - 6884 - 000	Z30 - 9	RB2 - 3685 - 000	Z40 - 68
	Z B - J 205		Z31 - 13	RB2 - 3686 - 000	Z40 - 74
	Z B - J 206	RB1 - 6885 - 000	Z30 - 10	RB2 - 3687 - 000	Z15 - 9
	Z B - J 207		Z31 - 14	RB2 - 3690 - 000	Z50 - 12
	Z B - J 208	RB1 - 6887 - 000	Z30 - 11	RB2 - 3691 - 000	Z15 - 14
	Z B - J 209		Z31 - 15	RB2 - 3693 - 000	Z40 - 69
	Z B - J 901	RB1 - 6888 - 000	Z30 - 12	RB2 - 3696 - 000	Z15 - 10
	Z B - J1201		Z31 - 16	RB2 - 3697 - 000	Z15 - 11
	Z B - J1202	RB1 - 6889 - 000	Z30 - 13	RB2 - 3699 - 000	Z15 - 12
	Z B - J1203		Z31 - 17	RB2 - 3701 - 000	Z20 - 1
	Z B - J1206	RB1 - 6890 - 000	Z30 - 14	RB2 - 3702 - 000	Z15 - 27
	Z B - J1601A		Z31 - 18	RB2 - 3705 - 000	Z10 - 15
	Z B - J1601B	RB1 - 6891 - 000	Z30 - 15	RB2 - 3706 - 000	Z40 - 31
RB1 - 3001 - 000	Z50 - 31		Z31 - 19	RB2 - 3707 - 000	Z40 - 32
RB1 - 6432 - 000	Z15 - 15	RB1 - 6892 - 000	Z30 - 16		Z50 - 30
RB1 - 6526 - 000	Z40 - 60		Z31 - 20	RB2 - 3711 - 000	Z15 - 16
RB1 - 6527 - 000	Z40 - 61	RB1 - 6893 - 000	Z30 - 17	RB2 - 3712 - 000	Z15 - 1
RB1 - 6528 - 000	Z40 - 34		Z31 - 21	RB2 - 3713 - 000	Z40 - 2
RB1 - 6529 - 000	Z40 - 80	RB1 - 6895 - 000	Z30 - 19	RB2 - 3719 - 000	Z10 - 10
RB1 - 6533 - 000	Z40 - 50A		Z31 - 23	RB2 - 3720 - 000	Z10 - 5
RB1 - 6534 - 000	Z40 - 50B	RB1 - 6901 - 000	Z30 - 21	RB2 - 3721 - 000	Z10 - 1
RB1 - 6535 - 000	Z40 - 35	RB1 - 6902 - 000	Z30 - 22	RB2 - 3722 - 000	Z10 - 2
RB1 - 6538 - 000	Z40 - 53	RB1 - 6903 - 000	Z30 - 23	RB2 - 3723 - 000	Z10 - 6
RB1 - 6539 - 000	Z40 - 54	RB1 - 6904 - 000	Z30 - 24	RB2 - 3724 - 000	Z10 - 8
RB1 - 6540 - 000	Z40 - 56		Z31 - 24	RB2 - 3728 - 000	Z50 - 3
RB1 - 6541 - 000	Z40 - 57	RB1 - 6907 - 000	Z31 - 25	RB2 - 3729 - 000	Z50 - 4
RB1 - 6543 - 000	Z40 - 36	RB1 - 6908 - 000	Z30 - 25	RB2 - 3730 - 000	Z50 - 44
RB1 - 6544 - 000	Z40 - 37	RB1 - 6909 - 000	Z15 - 26	RB2 - 3731 - 000	Z50 - 45
RB1 - 6545 - 000	Z40 - 38	RB1 - 6911 - 000	Z31 - 35	RB2 - 3732 - 000	Z50 - 46
RB1 - 6546 - 000	Z40 - 39	RB1 - 6912 - 000	Z30 - 35	RF1 - 4049 - 000	Z15 - 37
RB1 - 6547 - 000	Z40 - 40	RB1 - 6913 - 000	Z30 - 36	RF1 - 4050 - 000	Z15 - 21
RB1 - 6548 - 000	Z40 - 41		Z31 - 36	RF1 - 4052 - 000	Z40 - 82
RB1 - 6549 - 000	Z40 - 42	RB1 - 6914 - 000	Z30 - 28D	RF5 - 1415 - 000	Z40 - 50
RB1 - 6550 - 000	Z40 - 43		Z31 - 28D	RF5 - 1417 - 000	Z40 - 51
RB1 - 6551 - 000	Z40 - 44	RB1 - 6916 - 000	Z30 - 38	RF5 - 1418 - 000	Z40 - 52
RB1 - 6561 - 000	Z40 - 26		Z31 - 38	RF5 - 1423 - 000	Z40 - 21
RB1 - 6563 - 000	Z40 - 75	RB1 - 6917 - 000	Z30 - 37	RF5 - 1424 - 000	Z40 - 22
RB1 - 6565 - 000	Z40 - 79		Z31 - 37	RF5 - 1834 - 000	Z40 - 3
RB1 - 6567 - 000	Z40 - 62	RB1 - 6991 - 000	Z30 - 1	RF5 - 2002 - 000	Z30 - 26
RB1 - 6568 - 000	Z40 - 63		Z31 - 1		Z31 - 26
RB1 - 6569 - 030	Z40 - 77	RB1 - 6992 - 000	Z30 - 40	RF5 - 2556 - 000	Z15 - 13
RB1 - 6570 - 000	Z40 - 76		Z31 - 40	RF5 - 2708 - 000	Z40 - 4
RB1 - 6571 - 000	Z40 - 78	RB1 - 7085 - 000	Z40 - 9	RF5 - 2712 - 000	Z30 - 27
RB1 - 6579 - 000	Z40 - 64	RB1 - 7760 - 000	Z15 - 19		Z31 - 27
RB1 - 6580 - 000	Z40 - 10	RB1 - 7761 - 000	Z15 - 20	RF5 - 2734 - 030	Z30 - 18
RB1 - 6585 - 000	Z40 - 1	RB1 - 7813 - 000	Z50 - 32		Z31 - 22
RB1 - 6586 - 000	Z40 - 11	RB1 - 7814 - 000	Z50 - 33	RF5 - 2765 - 000	Z50 - 14
RB1 - 6591 - 000	Z40 - 13	RB1 - 7818 - 000	Z50 - 2	RF5 - 2766 - 000	Z10 - 14
RB1 - 6598 - 000	Z40 - 73	RB1 - 7822 - 000	Z50 - 5	RF5 - 2768 - 000	Z20 - 2
RB1 - 6599 - 000	Z40 - 65	RB1 - 7823 - 000	Z50 - 6	RF5 - 2773 - 000	Z10 - 9
RB1 - 6784 - 000	Z30 - 32	RB1 - 7824 - 000	Z50 - 7	RF5 - 2774 - 000	Z50 - 13
	Z31 - 32	RB1 - 9619 - 000	Z30 - 28B	RG5 - 1845 - 000	Z15 - 41
RB1 - 6858 - 000	Z30 - 28A		Z31 - 28B	RG5 - 1860 - 030	Z40 - 83
	Z31 - 28A	RB1 - 9620 - 000	Z30 - 28C	RG5 - 1862 - 000	Z40 - 67
RB1 - 6861 - 000	Z30 - 29A		Z31 - 28C	RG5 - 1910 - 000	Z30 - 29
	Z31 - 29A	RB2 - 2460 - 000	Z15 - 5		Z31 - 29
RB1 - 6863 - 000	Z30 - 29B	RB2 - 2461 - 000	Z15 - 6	RG5 - 3858 - 000	Z50 - 27
	Z31 - 29B	RB2 - 2501 - 000	Z50 - 40	RG5 - 3948 - 000	Z30 - 28
RB1 - 6865 - 000	Z30 - 29C	RB2 - 2502 - 000	Z50 - 34		Z31 - 28
	Z31 - 29C	RB2 - 2503 - 000	Z40 - 30		Z15 - 3
RB1 - 6867 - 000	Z30 - 29D		Z50 - 27A	RG5 - 4021 - 000	Z15 - 22
	Z31 - 29D		Z50 - 28	RG5 - 4203 - 000	Z15 - 22
RB1 - 6869 - 030	Z30 - 26B	RB2 - 2505 - 000	Z50 - 27B	RG5 - 4205 - 000	Z15 - 2
	Z31 - 26B	RB2 - 2508 - 020	Z50 - 43	RG5 - 4410 - 000	Z40 -
RB1 - 6871 - 030	Z30 - 27B	RB2 - 2510 - 000	Z50 - 8	RG5 - 4416 - 000	Z20 -
	Z31 - 27B	RB2 - 2511 - 000	Z50 - 9	RG5 - 4423 - 000	Z50 -
RB1 - 6872 - 000	Z30 - 27A	RB2 - 2512 - 000	Z50 - 10	RG5 - 4439 - 000	Z50 - 42
	Z31 - 27A	RB2 - 2513 - 000	Z50 - 11	RG5 - 4441 - 000	Z15 - 40
RB1 - 6874 - 000	Z31 - 3	RB2 - 2523 - 000	Z15 - 7	RG5 - 4442 - 020	Z92 -
RB1 - 6875 - 020	Z30 - 2	RB2 - 2524 - 000	Z15 - 8	RH2 - 5310 - 000	Z10 - 11
	Z31 - 4	RB2 - 3328 - 000	Z15 - 42	RH4 - 0273 - 000	Z92 - IC201
RB1 - 6876 - 000	Z31 - 5	RB2 - 3510 - 000	Z15 - 32	RH7 - 1262 - 000	Z40 - 71
RB1 - 6877 - 000	Z30 - 3	RB2 - 3587 - 000	Z40 - 12	RH7 - 5201 - 000	Z50 - 16
	Z31 - 6	RB2 - 3588 - 000	Z31 - 2	RH7 - 5215 - 000	Z20 - 6
RB1 - 6878 - 000	Z30 - 4	RB2 - 3589 - 000	Z30 - 20	RH7 - 5218 - 000	Z40 - 81
				RH7 - 5226 - 000	Z50 - 15

PART NUMBER	FIGURE & KEY NO.	PART NUMBER	FIGURE & KEY NO.	PART NUMBER	FIGURE & KEY NO.
RS5 - 0728 - 000	Z20 - 5	VS3 - 5083 - 006	Z B - J 203		
RS5 - 0732 - 020	Z40 - 14		Z B - J 901		
RS5 - 0733 - 000	Z40 - 15	WG8 - 5362 - 000	Z40 - 59		
RS5 - 0734 - 000	Z40 - 45		Z50 - 36		
RS5 - 0735 - 000	Z40 - 46		Z50 - 41		
RS5 - 0736 - 000	Z40 - 27	WS3 - 5005 - 000	Z B - J 208		
RS5 - 0737 - 000	Z40 - 28		Z B - J1201		
RS5 - 0738 - 000	Z40 - 66	WS3 - 5254 - 000	Z B - J 203		
RS5 - 0739 - 000	Z40 - 5		Z B - J 901		
RS5 - 0740 - 000	Z40 - 6	WT1 - 5155 - 000	Z B - J 1		
RS5 - 0744 - 000	Z40 - 16		Z B - J 205		
RS5 - 0745 - 000	Z40 - 17		Z B - J 206		
RS5 - 0852 - 000	Z50 - 17		Z B - J 209		
RS5 - 1009 - 000	Z40 - 29		Z B - J 219		
	Z40 - 70		Z B - J 229		
RS5 - 1179 - 000	Z40 - 7		Z B - J 301		
	Z40 - 25		Z B - J 302		
	Z40 - 58	WT2 - 0204 - 000	Z50 - 37		
RS5 - 1202 - 000	Z50 - 18	WT2 - 0239 - 000	Z15 - 24		
RS5 - 1203 - 000	Z50 - 19	WT2 - 0507 - 000	Z15 - 36		
RS5 - 2476 - 020	Z40 - 47		Z50 - 38		
	Z40 - 55		Z50 - 49		
RS5 - 2477 - 000	Z40 - 48	WT2 - 5035 - 000	Z50 - 39		
RS5 - 2478 - 000	Z40 - 49	WT2 - 5061 - 000	Z15 - 25		
RS5 - 2479 - 000	Z40 - 33	WT2 - 5526 - 000	Z15 - 4		
RS5 - 2480 - 000	Z40 - 20	XA9 - 0267 - 000	Z15 - 28		
RS5 - 2481 - 000	Z40 - 18		Z40 - 72		
RS5 - 2482 - 000	Z40 - 19	XA9 - 0283 - 000	Z30 - 30		
RS5 - 2499 - 000	Z15 - 33		Z31 - 30		
RS5 - 2500 - 000	Z15 - 34	XA9 - 0499 - 000	Z10 - 13		
RS5 - 2556 - 000	Z50 - 35		Z15 - 39		
RS5 - 2557 - 000	Z50 - 20	XA9 - 0591 - 000	Z10 - 4		
RS5 - 2565 - 000	Z50 - 21		Z50 - 25		
RS5 - 8593 - 000	Z30 - 34	XA9 - 0732 - 000	Z15 - 38		
	Z31 - 34	XA9 - 0836 - 000	Z40 - 8		
RS5 - 8644 - 000	Z31 - 1B	XA9 - 0866 - 000	Z30 - 33		
RS5 - 8665 - 000	Z30 - 1B		Z31 - 33		
RS5 - 8667 - 000	Z30 - 41	XA9 - 0912 - 000	Z15 - 17		
RS5 - 9099 - 000	Z10 - 12	XA9 - 0946 - 000	Z50 - 26		
RS6 - 0406 - 000	Z50 - 22	XB1 - 2300 - 406	Z30 - 28E		
RS6 - 0407 - 000	Z50 - 23		Z30 - 29E		
RS6 - 0546 - 000	Z20 - 3		Z31 - 28E		
RS6 - 8010 - 000	Z50 - 14A		Z31 - 29E		
RS6 - 8034 - 000	Z30 - 26A	XB4 - 7301 - 007	Z40 - 507		
	Z31 - 26A	XB4 - 7401 - 007	Z40 - 501		
RS6 - 8035 - 000	Z30 - 31	XB4 - 7401 - 009	Z40 - 506		
	Z31 - 31	XB6 - 7300 - 607	Z10 - 501		
RS6 - 8038 - 000	Z30 - 1A		Z15 - 501		
	Z31 - 1A		Z20 - 501		
RS6 - 8149 - 000	Z10 - 14A		Z50 - 501		
RS6 - 8666 - 000	Z31 - 41	XB6 - 7400 - 607	Z15 - 502		
VD7 - 1621 - 001	Z92 - FU202	XB6 - 7400 - 807	Z10 - 502		
	Z92 - FU203	XD1 - 1105 - 233	Z30 - 501		
VD7 - 1621 - 501	Z92 - FU201		Z31 - 501		
VD7 - 1893 - 151	Z15 - 3A	XD2 - 1100 - 502	Z40 - 502		
VS1 - 0842 - 002	Z B - J 306		Z50 - 502		
VS1 - 0842 - 003	Z B - J 14	XD2 - 1100 - 642	Z50 - 503		
	Z B - J 307	XD2 - 1200 - 502	Z20 - 502		
	Z B - J 308	XD3 - 1200 - 102	Z40 - 505		
	Z B - J1206	XD3 - 1200 - 122	Z40 - 503		
VS1 - 0842 - 005	Z B - J1601A	XD3 - 2200 - 102	Z50 - 504		
	Z B - J1601B	XD3 - 2200 - 122	Z40 - 504		
VS1 - 0842 - 008	Z B - J 207		Z50 - 505		
	Z B - J 305	XD9 - 0170 - 000	Z30 - 39		
VS1 - 0842 - 010	Z B - J 204		Z31 - 39		
VS1 - 5057 - 002	Z B - J 306	XZ9 - 0379 - 000	Z10 - 7		
	Z50 - 48	XZ9 - 0442 - 000	Z15 - 18		
VS1 - 5057 - 006	Z B - J 305				
	Z50 - 42A				
	Z50 - 47				
VS1 - 5820 - 003	Z B - J 219				
	Z15 - 35				
	Z15 - 37A				
VS1 - 5820 - 004	Z20 - 4				
	Z50 - 24				
VS3 - 5008 - 020	Z B - J 208				
	Z B - J1201				
VS3 - 5080 - 003	Z B - J 1				
	Z B - J 209				
	Z B - J 219				
	Z B - J 229				
VS3 - 5080 - 004	Z B - J 206				
	Z B - J 301				
	Z B - J 302				
VS3 - 5080 - 005	Z B - J 205				

Prepared by  
OFFICE IMAGING PRODUCTS TECHNICAL SUPPORT DEPT. 3  
OFFICE IMAGING PRODUCTS TECHNICAL SUPPORT DIV.  
CANON INC.  
Printed in Japan

REVISION 0 [ FEB. 1999 ]

5-1, Hakusan 7-chome, Toride-shi, Ibaraki 302-8501, Japan

**Canon**